

COPYRIGHT: All drawings herein are the property of Tectonics Design Group and may not be reproduced or used in any capacity without the written authorization of Tectonics Design Group.

DRAWN: SBG
 DESIGNED: SBG
 CHECKED/STAMPED: SCOTT B. GARRISON, P.E.

FOR COORDINATION

STAMP:

DESIGNER: **TECTONICS DESIGN GROUP**
 730 Sandhill Rd., # 250, Reno, Nevada 89521
 tel 775-824-9988
 fax 775-824-9986
 www.tectonicsdesigngroup.com

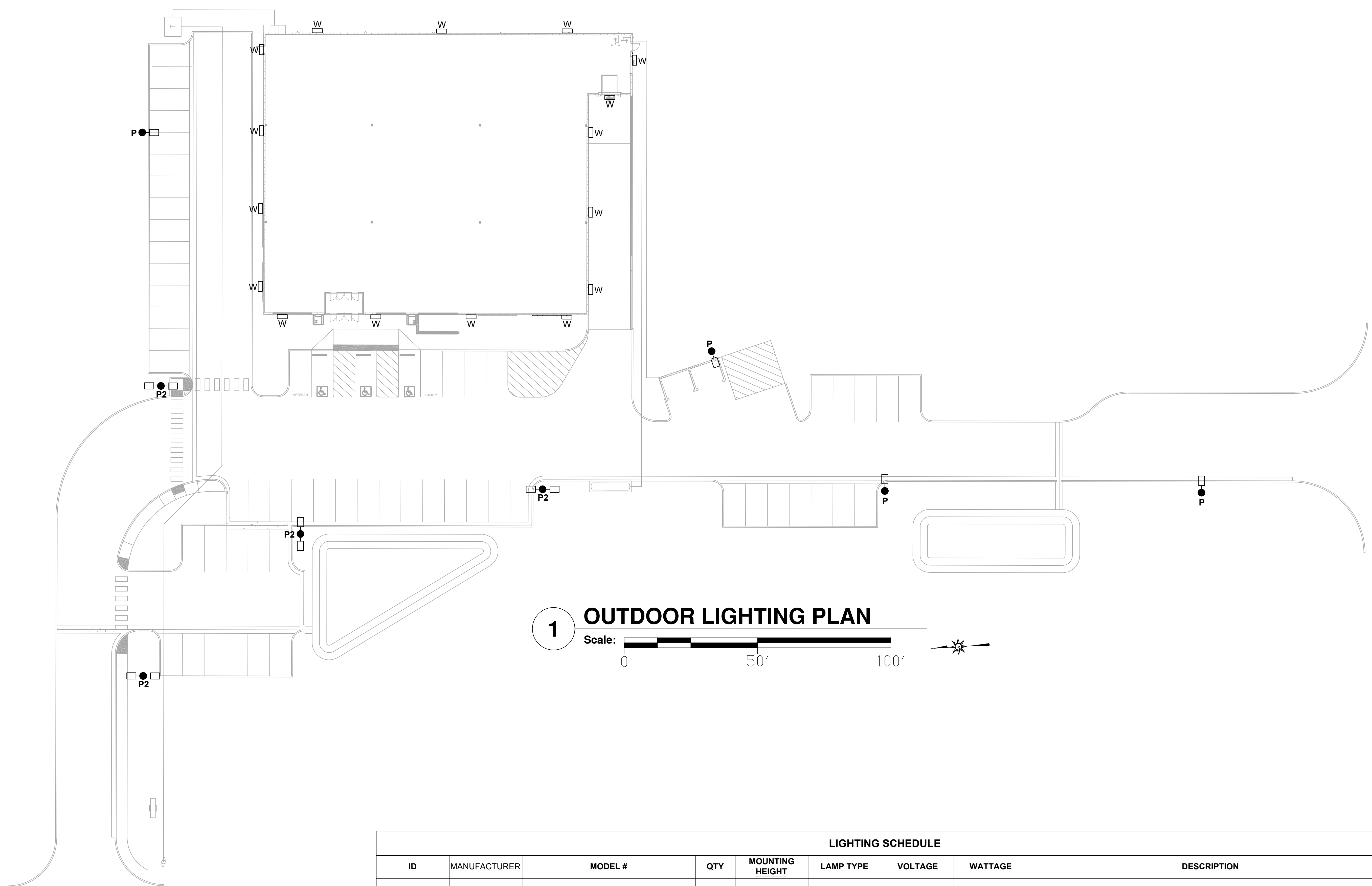
GROCERY OUTLET
 BANDON, OREGON

PROJECT/CLIENT:
 #: 22073

DATE: 08/18/22
 SUBMITTAL RECORD: SITE PLAN REVIEW

SHEET TITLE: OUTDOOR LIGHTING PLAN

SHEET: EP-1.0

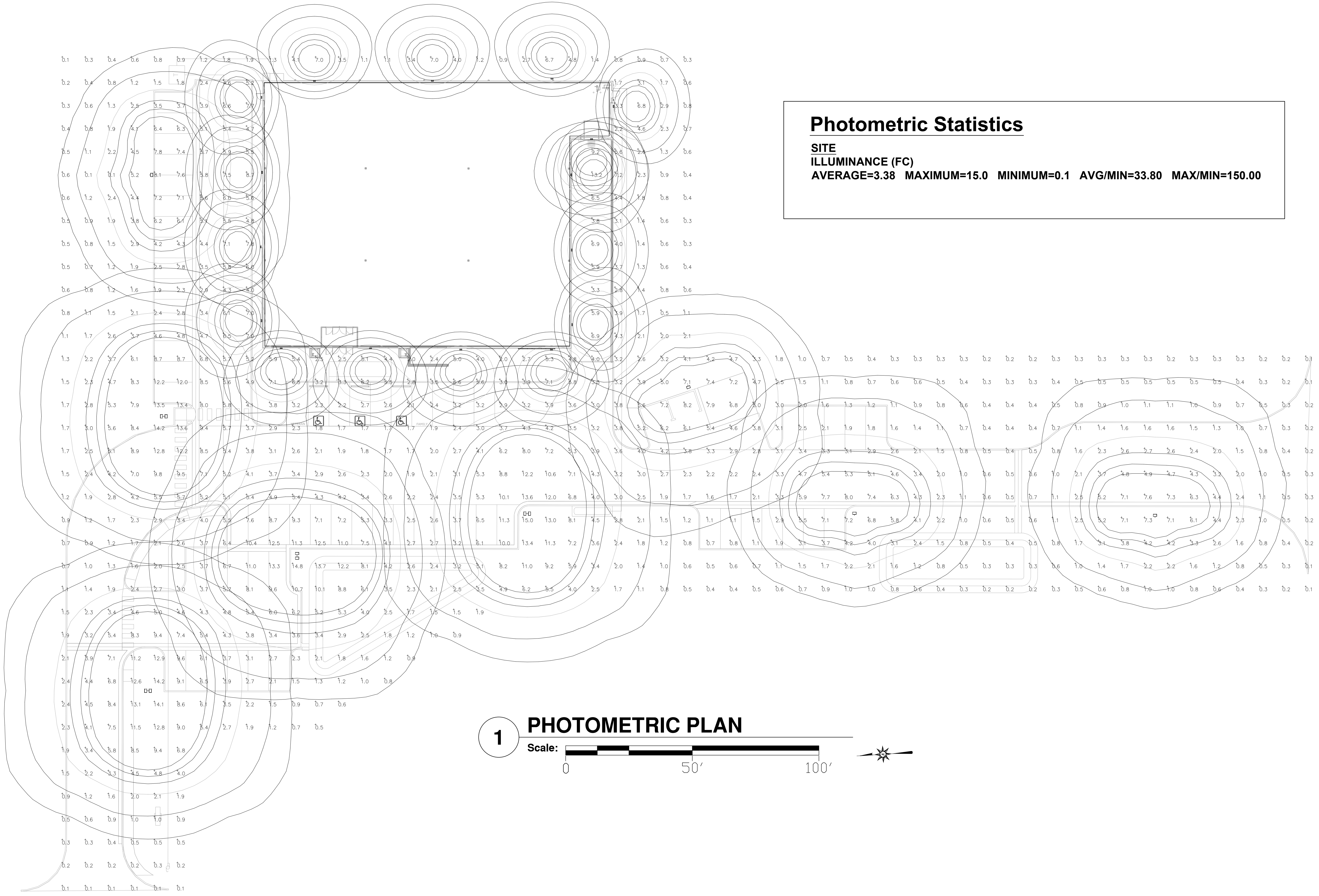


1 OUTDOOR LIGHTING PLAN
 Scale: 0 50' 100'

LIGHTING SCHEDULE								
ID	MANUFACTURER	MODEL #	QTY	MOUNTING HEIGHT	LAMP TYPE	VOLTAGE	WATTAGE	DESCRIPTION
W	i-LUMINOSITY	ILWPCMS-45W-4-DB	16	14'-0"	LED	120/277	45W	FULL CUTOFF WALLPACK, 4,900 LUMENS, 4000K, 45W, DARK BRONZE.
P	i-LUMINOSITY	ILSBWSWD-200W-4-BR-IV	4	25'-0"	LED	120/277	200W	LED SITE POLE HEAD, 200W, 27,000LM, 4000K, BRONZE, TYPE IV DISTRIBUTION, W/ 22' POLE AND 3'-0" BASE
P2	i-LUMINOSITY	ILSBWSWD-200W-4-BR-IV	4	25'-0"	LED	120/277	200W (EACH)	(2) LED SITE POLE HEADS, EACH WITH: 200W, 27,000LM, 4000K, BRONZE, TYPE IV DISTRIBUTION, W/ 22' POLE AND 3'-0" BASE

A. INSTALLATION OF LIGHT FIXTURES SHALL BE ACCORDING TO MANUFACTURER'S RECOMMENDATIONS AND APPLICABLE CODE REQUIREMENTS.
 B. VERIFY THE EXACT MOUNTING HEIGHT AND FINISH OF ALL LIGHTING FIXTURES WITH ARCHITECT PRIOR TO PLACING ORDER OR COMMENCING ROUGH-IN.
 C. LIGHT FIXTURES SHALL BE PROVIDED BY THE ELECTRICAL CONTRACTOR. EQUIVALENT DEVICES ARE ACCEPTABLE WITH APPROVAL.

**PRELIMINARY
 NOT FOR CONSTRUCTION**



Photometric Statistics
SITE
ILLUMINANCE (FC)
AVERAGE=3.38 MAXIMUM=15.0 MINIMUM=0.1 AVG/MIN=33.80 MAX/MIN=150.00

1 PHOTOMETRIC PLAN
 Scale: 0 50' 100'

**PRELIMINARY
 NOT FOR CONSTRUCTION**

COPYRIGHT: All drawings herein are the property of Tectonics Design Group and may not be reproduced or used in any capacity without the written authorization of Tectonics Design Group.
DRAWN: SBG
DESIGNED: SBG
CHECKED/STAMPED: SCOTT B. GARRISON, P.E.

FOR COORDINATION

STAMP:

**TECTONICS
 DESIGN GROUP**
 730 Sandhill Rd., # 250, Reno, Nevada 89521
 tel 775-824-9988
 fax 775-824-9986
 www.tectonicsdesigngroup.com

DESIGNER:

**GROCERY OUTLET
 BANDON, OREGON**

PROJECT/CLIENT:
 #: 22073

DATE: 08/18/22
SUBMITTAL: SITE PLAN REVIEW

SUBMITTAL RECORD:

SHEET TITLE: PHOTOMETRIC PLAN

SHEET: EP-2.0

Date: _____
Project: _____
Price: _____



LED Windsor Shoebox Fixture:

Description:
Our high-power, LED Windsor Shoebox Fixture is energy efficient with a high lumen output and a CRI >90. Featuring a die cast aluminum housing it is available in 4000K or 5000K CCT, with a 0-10V dimming option. An IP66 rated fixture, perfect for the outdoors.

Features:

- Mounting options: Slipfitter, Trunnion, or Surface mounted.
- Easy installation
- 0-10V dimmable option.
- Lighting control options available.
- AC 100-277V or 347V/ 480V.
- L70 Lifetime: >50,000 hours
- CRI >90
- Available color options: 4000K or 5000K
- IP Rating: IP66 - Wet locations.
- Operating temperature: -5°F ~ 122°F
- Finish option: Bronze, Black, White, or Silver.
- 7 Year Warranty.
- Optical Systems: Type II, Type III, Type IV, Type V

Applications:


- Outdoor courts
- Parking lots
- Parking garages
- Playgrounds
- Parks
- Road lamp




(888)-998-LEDS (5337) | i-luminosity.com | info@i-luminosity.com



Date: _____
Project: _____
Price: _____



Ordering Key:

SERIES NUMBER	WATTS / LUMENS	CCT	FINISH	OPTICAL SYSTEM	ADDITIONAL OPTIONS
ILSBWSD	150W - 21,000 200W - 27,000	4 - 4000K 5 - 5000K	BR - BRONZE WB - WHITE BL - BLACK S - SILVER	B - TYPE II TR - TYPE III IV - TYPE IV V - TYPE V	DM - 0-10V DIMMING TM - TRUNNION MOUNT SM - SLIPFITTER MOUNT RP - ROUND POLE MOUNT SP - SQUARE POLE MOUNT PH - PHOTOCELL MS - MOTION SENSOR

SAMPLE ITEM NUMBER: ILSBWSD 150W 4 BR II SM

Electrical Data:

- **Input power:** Stays consistent over life
- **Input Voltage:** 100-277V or 347V/ 480V.
- **Operating Temperature:** -5°F ~ 122°F
- **CRI:** >90
- **L70 Lifetime:** >50,000 hours


Controls:

- This LED fixture is equipped with a 0-10V dimming driver that works universally with any standard 0-10V control or dimmer.


Optical System:

- A unique combination of reflective & refractive optical components achieves a uniform, comfortable look while eliminating pixelation & color fringing.
- Parts work in unison to optimize light distribution, balancing the high delivery of high illuminance levels on horizontal surfaces with an ideal amount of light on walls and vertical surfaces, increasing perception of spaciousness.

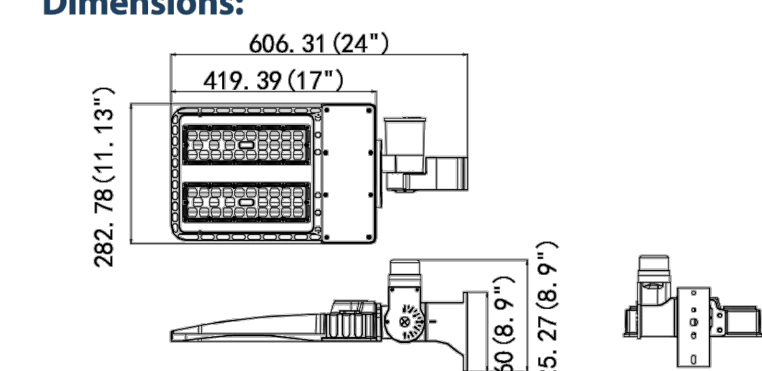
(888)-998-LEDS (5337) | i-luminosity.com | info@i-luminosity.com



Date: _____
Project: _____
Price: _____

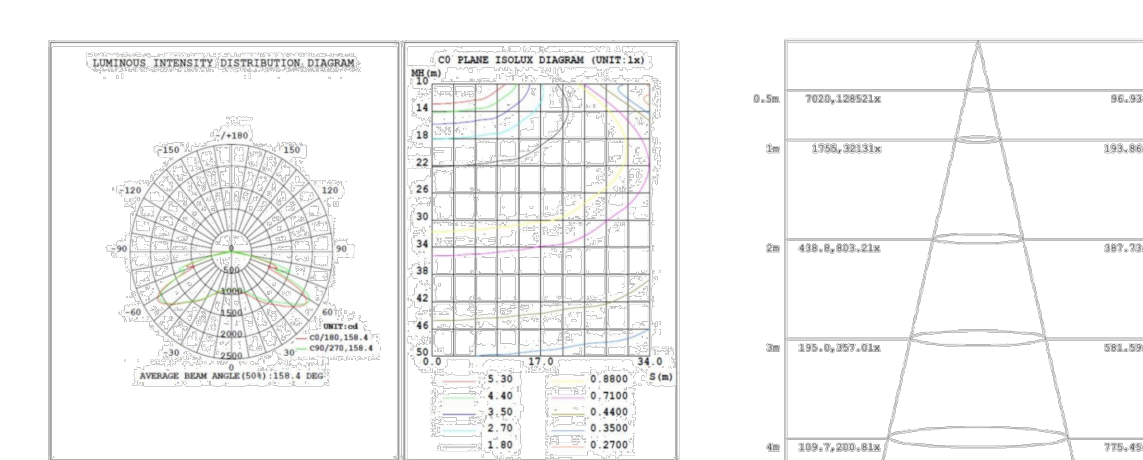


Dimensions:




Net weight: 150W is 13.2 lbs / 200W is 16.6 lbs
Size: 24IN x 11.1IN x 8.9IN

Photometrics:



(888)-998-LEDS (5337) | i-luminosity.com | info@i-luminosity.com



Date: _____
Project: _____
Price: _____



LED Full Cutoff Wall Pack

Description:
i-Luminosity's LED Full Cutoff Wall Pack comes in a dark bronze or a black finish suitable for outdoor locations. Wattage options range from 45W-135W with color options 4000K or 5000K. This wall pack is suitable for emergency backup, photocell, and motion sensor.

Features:

- Input Power: 120-277VAC
- Power Consumption: 45W - 135W
- Lumen Output: 3,300 Lm - 14,500 Lm
- Lighting controls option available.
- CRI >90
- L70 Lifetime: >50,000 hours.
- Available Mounting Options: Wall mounted.
- Available Color Options: 4000K or 5000K.
- Available Finish Options: Black or Dark Bronze
- Type III polycarbonate optical lens
- IP Rating: IP65
- 0-10V Dimmable, Photocell, & Motion Sensor available.
- 7 Year Warranty.

Applications:

- Wet Location/ Outdoor
- Warehouses
- Parking Lots
- Storage

Medium size: 45W/70W




Large size: 90W or 135W




(888)-998-LEDS (5337) | i-luminosity.com | info@i-luminosity.com



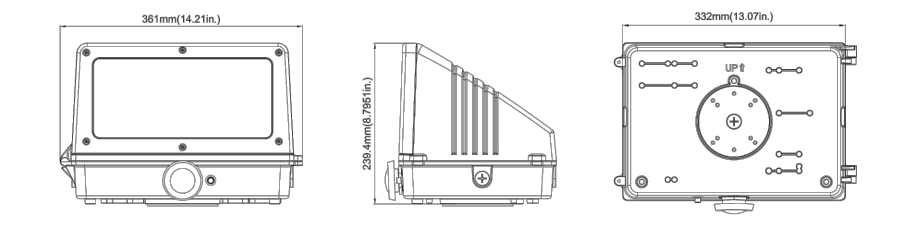
Date: _____
Project: _____
Price: _____



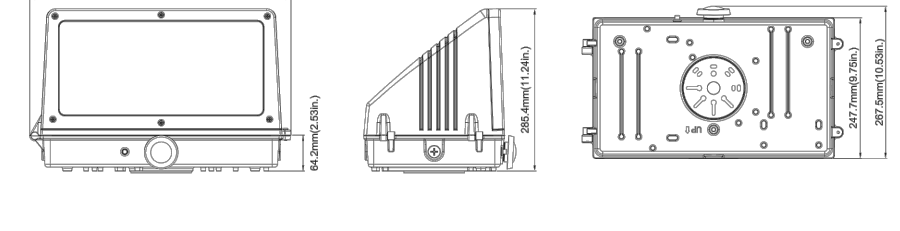
Dimensions:

Unit: IN/MM

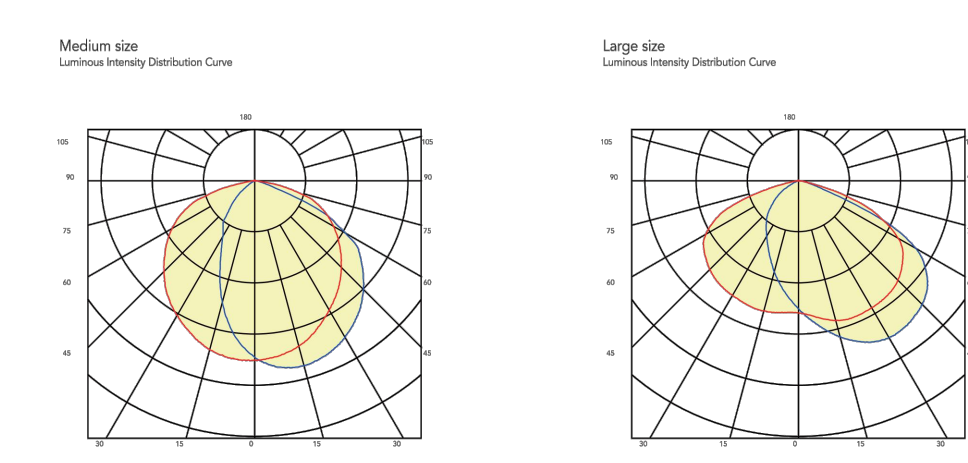
Medium Size




Large Size




Photometrics:



(888)-998-LEDS (5337) | i-luminosity.com | info@i-luminosity.com



Date: _____
Project: _____
Price: _____



Ordering Key:

SERIES NUMBER	WATTS / SIZE / LUMENS	CCT	FINISH	ADDITIONAL OPTIONS
ILWPCMS	45w - 14.2M / 4,900 70w - 14.2M / 7,500 90w - 18.1M / 9,000 135w-18.1M / 14,500	4 - 4000K 5 - 5000K	BR - BLACK DB - DARK BRONZE	EM - EMERGENCY BACKUP MS - MOTION SENSOR DM - 0-10V DIMMING PH - PHOTOCELL

SAMPLE ITEM NUMBER: ILWPCMS 45 4 BK EM

Electrical Data:

- **Input Power:** Stays consistent over life.
- **Input Voltage:** 120-277 VAC
- **CRI:** >90
- **L70 Lifetime:** >50,000 hours.


Controls:

- This LED fixture can be equipped with 0-10V dimming that works universally with any standard 0-10V control or dimmer.

Optical System:

- A unique combination of reflective & refractive optical components achieves a uniform, comfortable look while eliminating pixelation & color fringing.
- Parts work in unison to optimize light distribution, balancing the high delivery of high illuminance levels on horizontal surfaces with an ideal amount of light on walls and vertical surfaces, increasing perception of spaciousness.

(888)-998-LEDS (5337) | i-luminosity.com | info@i-luminosity.com



PRELIMINARY
NOT FOR CONSTRUCTION

All drawings herein are the property of Tectonics Design Group and may not be reproduced or used in any capacity without the written authorization of Tectonics Design Group.

DRAWN: SBG
DESIGNED: SBG
CHECKED/STAMPED: SCOTT B. GARRISON, P.E.

FOR COORDINATION

**TECTONICS
DESIGN GROUP**

730 Sandhill Rd., # 250, Reno, Nevada 89521
tel 775-824-9988
fax 775-824-9986
www.tectonicsdesigngroup.com

GROCERY OUTLET
BANDON, OREGON

PROJECT/CLIENT: # 22073

DATE: 08/18/22
SUBMITTAL: SITE PLAN REVIEW

SUBMITTAL RECORD:

SHEET TITLE: LIGHTING CUT SHEETS

EP-3.0